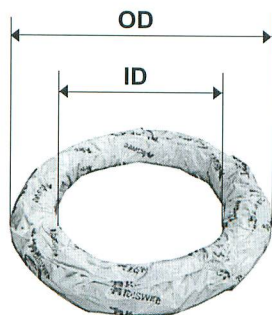


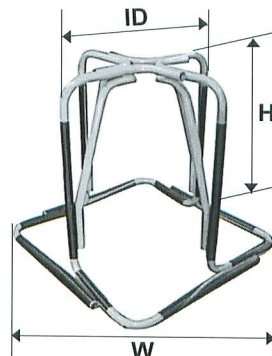
Standard Packing

Spring Wire & Cable Wire dimensions and weights

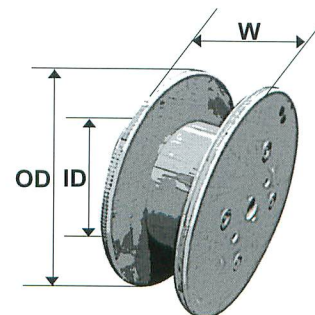
| Packaging | Wire Size (mm) | Black size | Catchweight coil | | | | Carrier | | Reel(Spool) | |
|-------------|----------------|------------|------------------|--------|--------|-------|-------------------|------------------|-------------|--------------|
| | | | W(kg) | ID(mm) | OD(mm) | H(mm) | W(kg) | D x H x W(mm) | W(kg) | Flange(type) |
| Spring Wire | 0.20 ~ 0.35 | 6" | 5 | 100 | 200 | 70 | - | - | 10 | DIN 250 |
| | 0.20 ~ 0.29 | 6" | 5 | 100 | 200 | 80 | - | - | - | DIN 250 |
| | | 8" | 5 | 150 | 250 | 80 | - | - | - | DIN 250 |
| | 0.30 ~ 0.39 | 10" | 10 | 190 | 310 | 100 | - | - | - | DIN 250 |
| | | | 25 | 190 | 310 | 100 | - | - | - | DIN 250 |
| | 0.40 ~ 0.59 | 12" | 30 | 220 | 370 | 110 | - | - | 20 | DIN 250/355 |
| | | | 50 | 250 | 400 | 150 | - | - | 20 | DIN 250/355 |
| | 0.60 ~ 0.85 | 14" | 80 | 270 | 420 | 230 | - | - | 50 | DIN 560/760 |
| | 0.86 ~ 1.40 | 16" | 100 | 280 | 500 | 230 | 400 | 300 x 950 x 600 | 200 | DIN 560/760 |
| | 1.40 ~ 1.80 | 20" | 100,200 | 400 | 600 | 300 | 400 | 380 x 950 x 800 | 500 | DIN 760 |
| | 1.80 ~ 2.50 | 24" | 150 ~ 300 | 540 | 800 | 500 | 1000 | 510 x 1250 x 950 | - | - |
| | 2.30 ~ 3.50 | 27" | 150 ~ 500 | 540 | 800 | 500 | 1000 | 600 x 1250 x 980 | - | - |
| | 3.00 ~ 4.20 | 30" | 150 ~ 500 | 600 | 850 | 500 | 1000 | 600 x 1250 x 980 | - | - |
| 4.00 ~ 10.0 | 32" | 150 ~ 500 | 650 | 1000 | 600 | 1000 | 600 x 1250 x 980 | - | - | |
| 9.00 ~ 13.0 | 36" | - | - | - | - | 2000 | 600 x 1250 x 1200 | - | - | |
| Cable Wire | 0.36 ~ 0.50 | 8" | - | - | - | - | - | - | 20 | DIN 250 |
| | 0.80 ~ 1.60 | 16" | - | - | - | - | - | - | 480 | 710(STEEL) |
| | 0.90 ~ 1.40 | 16" | - | - | - | - | - | - | 480 | 760(STEEL) |
| | 1.80 ~ 3.40 | 24" | - | - | - | - | - | - | 480 | 760(STEEL) |



Catchweight coil



Carrier



Reel (Plastic, Wood, Steel)